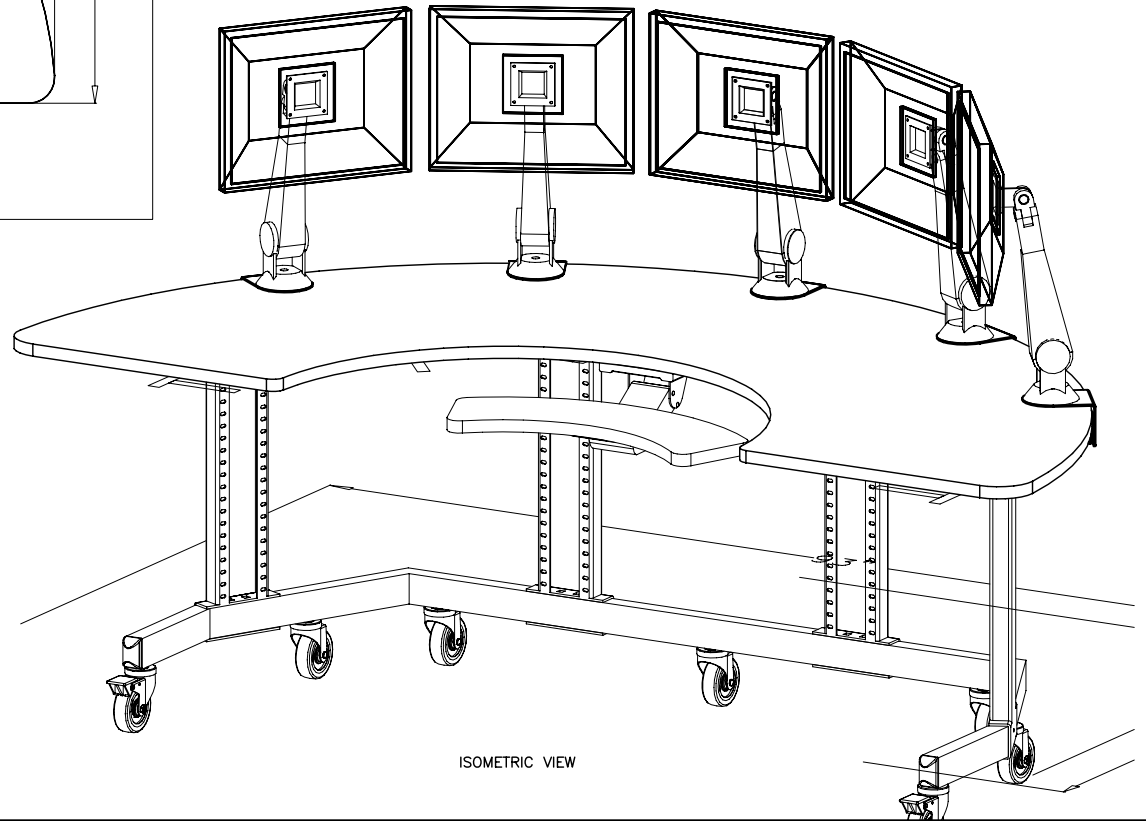
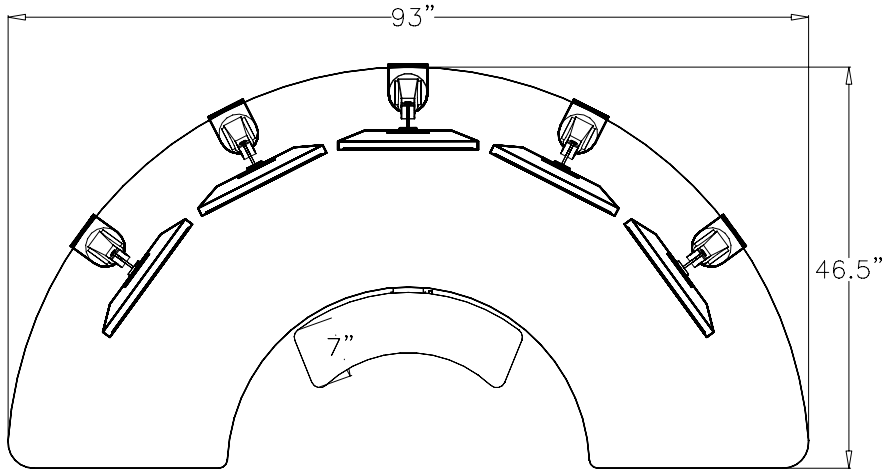


TOP VIEW



ISOMETRIC VIEW

NOTES :

Color: Black Frame
Laminate : Black with Black T-Molding.
TMD Legs
Final Design is subject to change

MATERIAL :

AS NOTED ABOVE

TOLERANCES UNLESS OTHERWISE SPECIFIED

FRACTIONAL ±1/64
2 PLC. DEC. ±.01
3PLC. DEC. ±.001
ANGULAR ±.5°
FINISH 32/√

DRAWN BY : BD

DATE: 07/19/07

DESCRIPTION :

HM9349

A P P R O V E D

ENG :

MFG :

QA :

SCALE : N.T.S.

SHEET : 1 OF 1

USED ON :

PATH :
Maxflex\Half Moon\

NUMBER :
HM9349_5F_01

SIZE
A